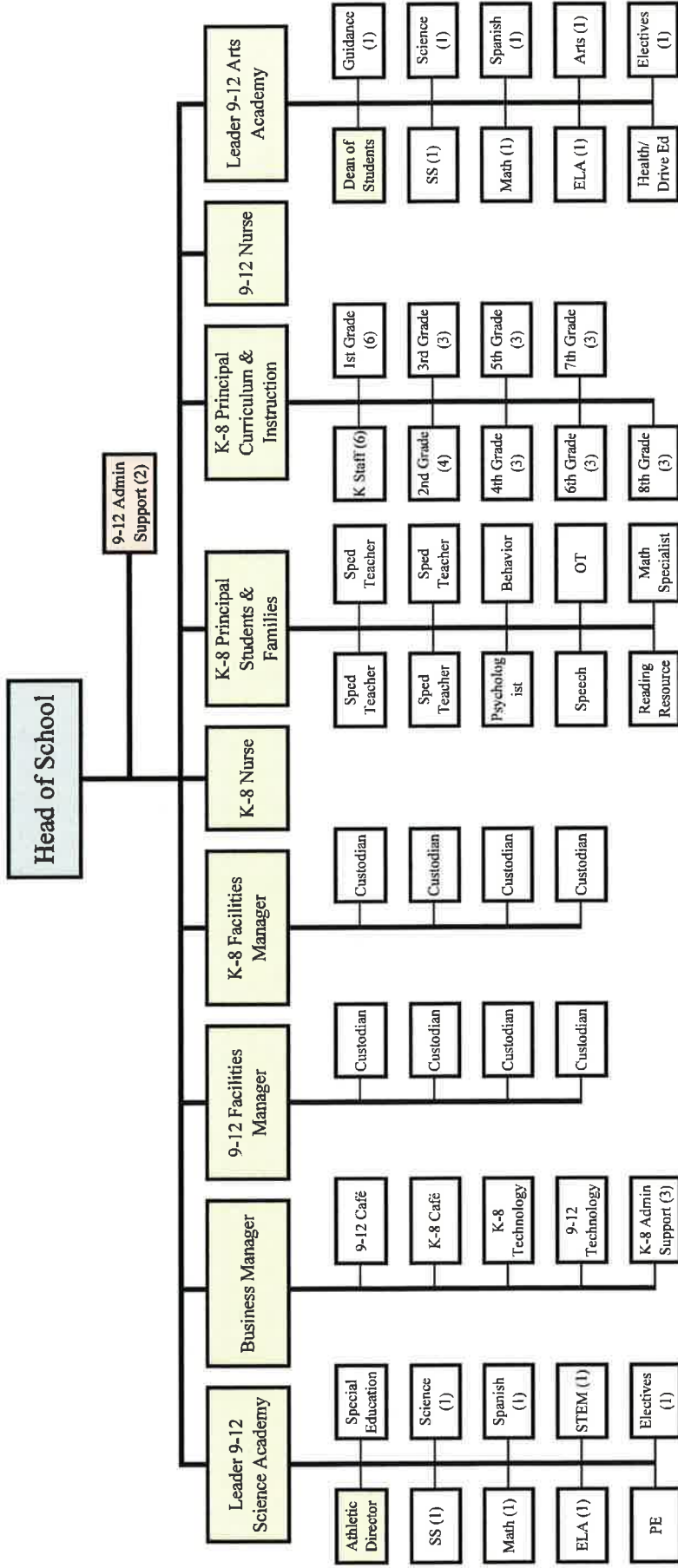



MOT Charter School  
2014-2015 Organizational Chart



 Duties assumed by Academy Leader in Year 1

MOT Charter School  
2016-2017 Organizational Chart

